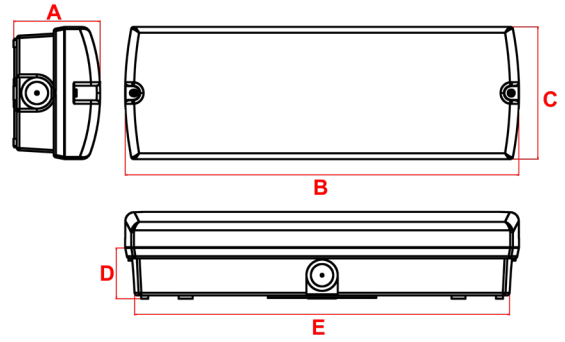
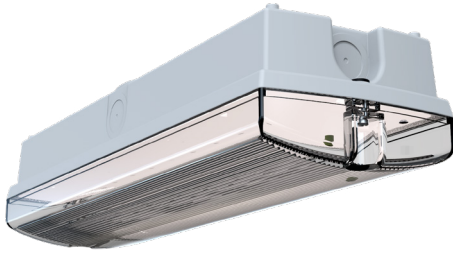


# Visor Pro

## Surface Mounted Slave Bulkhead



<b>188</b> Lumens	<b>1</b> Watt	<b>6500K</b>	Wall and Ceiling Mounting
Class I	<b>IP</b> <b>65</b>	<b>8Y</b> Warranty	

Order Code	ZVIPROLED230S
Mode of operation	Slave
Input voltage	230/240V (207VAC - 264VAC) 50/60Hz
Power consumption	5VA
Lamp Lifetime	L <sub>80</sub> B <sub>50</sub> 50000 Hours
Lamp	1W LED
Lamp colour	6500K
Lumen Level in emergency	188lm
Nominal lamp voltage	V <sub>rated</sub> = 3V DC
Nominal lamp current @ 4.8V	I <sub>rated</sub> = 0.35A
Nominal lamp power @ 4.8V	P <sub>rated</sub> = 1W
Maximum output voltage with no lamp connected	U-OUT = 6V AC
Ingress protection	IP65
Cable entry	To be Drilled and Glanded on installation (Glands not included)
Luminaire class	Class I
Product Weight	0.6 Kg
Packaging Weight	0.093Kg
Standards	EN61347-2-7, EN61347-2-13, EN 60598-2-22, EN 55015
Environment	0°C to 55°C up to 80% relative humidity

## Materials

Housing: Polycarbonate  
Standard Colour: White - RAL 9016

## Warranty

Standard Warranty: 8 Years  
Alternative Warranty: 10 Years  
Add /10Y Years to Order Code

System	Order Code	Mode of Operation	Battery	Battery P/N	Lumens (Emergency)	Dimensions (mm)				
						A	B	C	D	E
Central Battery	ZVIPROLED230S	Slave	-	-	188	77	352	118	45	335
Alternative Systems Available: Specification Sheets Available Upon Request										
Standalone	VIPROM3/LED	Maintained	4.8V, 1.3Ah Ni-Mh	70229	188	77	352	118	45	335
DALI	VIPROM3/LED/DA	Maintained	3.6V, 4.5Ah Ni-Cd	70151	188	77	352	118	45	335
DALI Central Battery	ZVIPROLED230SDA	Slave	-	-	188	77	352	118	45	335

Available Accessories			
Order Code	Description	Material	Cutout (mm)
VI/SRK	Semi-Recessing Kit	Painted Steel	350 x 120

## Photometrics

Mounting Height	Lighting level directly under Luminaire (Lux)	Luminaire Spacing (Metres)									
		0.5lx	1.0lx	0.5lx	1.0lx	0.5lx	1.0lx	0.5lx	1.0lx	0.5lx	1.0lx
2m	3.85	3.8	2.6	9.9	7.6	7.9	6.2	5.9	4.8	2.4	1.8
2.5m	2.47	3.8	2.2	10.5	7.6	8.5	6.3	6.5	5.0	2.5	1.7
3m	1.71	3.6	1.7	10.8	7.2	8.8	6.1	6.8	5.0	2.5	1.5
4m	0.96	2.5	-	10.4	5.0	8.8	4.8	7.1	4.6	2.3	-
6m	0.43	-	-	6.6	-	6.4	-	6.1	-	-	-

