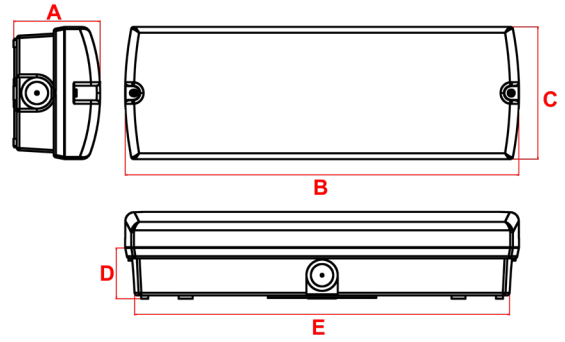
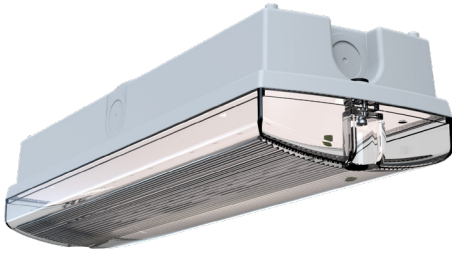


# Visor Pro

## Surface Mounted Self-Test Bulkhead



<b>188</b> Lumens	<b>1</b> Watt	<b>6500K</b>	Wall and Ceiling Mounting
Ni-Cd Battery	Class I	<b>IP</b> <b>65</b>	<b>8Y</b> Warranty

### Materials

Housing: Polycarbonate  
Standard Colour: White - RAL 9016

### Warranty

Standard Warranty: 8 Years  
Alternative Warranty: 10 Years  
Add **/10Y** Years to Order Code

Order Code	ZVIPROM3LEDST
Mode of operation	Maintained Self-Test
Emergency duration	3 hours
Input voltage	230/240V (207VAC - 264VAC) 50/60Hz
Power consumption	7.2VA, Inom = 30mA
Battery type	Rechargeable Ni-Cd Battery 3.6V 4.5Ah
Battery low voltage cut off	3V DC
Battery discharge current @ 4.8V DC	0.485A
Lamp Lifetime	L <sub>80</sub> B <sub>50</sub> 50000 Hours
Lamp	1W LED
Lamp colour	6500K
Lumen Level in emergency	188lm
Nominal lamp voltage	V <sub>rated</sub> = 3V DC
Nominal lamp current @ 3.6V	I <sub>rated</sub> = 0.35A
Nominal lamp power @ 3.6V	P <sub>rated</sub> = 1W
Maximum output voltage with no lamp connected	U-OUT=10V DC
Ingress protection	IP65
Cable entry	To be Drilled and Glanded on installation (Glands not included)
Luminaire class	Class I
Product Weight	1 Kg
Packaging Weight	0.101Kg
Standards	EN61347-2-7, EN61347-2-13, EN 60598-2-22, EN 55015
Environment	0°C to 45°C up to 80% relative humidity

System	Order Code	Mode of Operation	Battery	Battery P/N	Lumens (Emergency)	Dimensions (mm)				
						A	B	C	D	E
Self-Test	ZVIPROM3LEDST	Maintained	3.6V, 4.5Ah Ni-Cd	70151	188	77	352	118	45	335
Alternative Systems Available: Specification Sheets Available Upon Request										
Standalone	VIPROM3/LED	Maintained	4.8V, 1.3Ah Ni-Mh	70229	188	77	352	118	45	335
Central Battery	ZVIPROLED230S	Slave	-	-	188	77	352	118	45	335
DALI	VIPROM3/LED/DA	Maintained	3.6V, 4.5Ah Ni-Cd	70151	188	77	352	118	45	335

#### Available Accessories

Order Code	Description	Material	Cutout (mm)
V/ISRK	Semi-Recessing Kit	Painted Steel	350 x 120

### Photometrics

Mounting Height	Lighting level directly under Luminaire (Lux)	Luminaire Spacing (Metres)									
		0.5lx	1.0lx	0.5lx	1.0lx	0.5lx	1.0lx	0.5lx	1.0lx	0.5lx	1.0lx
2m	<b>6.04</b>	4.5	3.4	11.5	9.1	9.2	7.3	6.8	5.6	2.8	2.2
2.5m	<b>3.86</b>	4.7	3.3	12.4	9.5	9.9	7.7	7.4	5.9	3.0	2.2
3m	<b>2.68</b>	4.8	2.9	13.0	9.5	10.5	7.9	7.9	6.2	3.1	2.2
4m	<b>1.51</b>	4.3	1.9	13.5	8.7	11.1	7.5	8.6	6.3	3.1	1.8
5m	<b>0.97</b>	3.1	n/a	13.0	6.3	11.0	6.0	8.9	5.8	2.9	n/a
6m	<b>0.67</b>	2.4	n/a	11.5	4.8	10.1	4.6	8.8	4.4	2.2	n/a