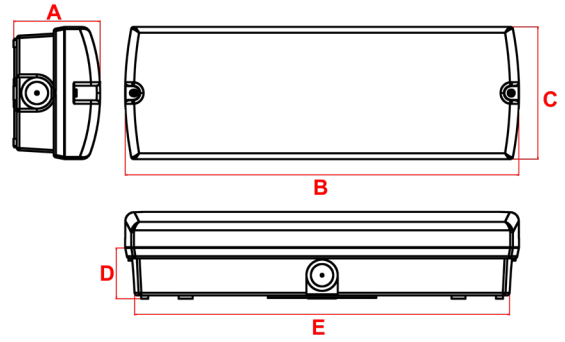
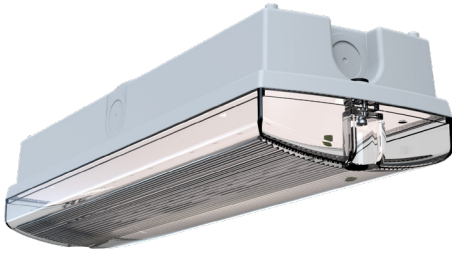


Visor Pro

Surface Mounted Bulkhead



188 Lumens	1 Watt	6500K	Wall and Ceiling Mounting
Ni-Mh Battery	Class I	IP 65	8Y Warranty

Materials

Housing: Polycarbonate
Standard Colour: White - RAL 9016

Warranty

Standard Warranty: 8 Years
Alternative Warranty: 10 Years
Add /10Y Years to Order Code

Order Code	VIPROM3/LED
Mode of operation	Maintained
Emergency duration	3 hours
Input voltage	230/240V (207VAC - 264VAC) 50/60Hz
Power consumption	5VA
Battery type	Rechargeable high temp Ni-Mh 4.8V 1.3Ah
Battery low voltage cut off	4V DC
Battery discharge current @ 4.8V DC	0.28
Lamp Lifetime	L ₈₀ B ₅₀ 50000 Hours
Lamp	1W LED
Lamp colour	6500K
Lumen Level in emergency	188lm
Nominal lamp voltage	V _{rated} = 3V DC
Nominal lamp current @ 4.8V	I _{rated} = 0.35A
Nominal lamp power @ 4.8V	P _{rated} = 1W
Maximum output voltage with no lamp connected	U-OUT = 6V AC
Ingress protection	IP65
Cable entry	To be Drilled and Glanded on installation (Glands not included)
Luminaire class	Class I
Product Weight	0.8 Kg
Packaging Weight	0.093Kg
Standards	EN61347-2-7, EN61347-2-13, EN 60598-2-22, EN 55015
Environment	0°C to 45°C up to 80% relative humidity

System	Order Code	Mode of Operation	Battery	Battery P/N	Lumens (Emergency)	Dimensions (mm)				
						A	B	C	D	E
Standalone	VIPROM3/LED	Maintained	4.8V, 1.3Ah Ni-Mh	70229	188	77	352	118	45	335
Alternative Systems Available: Specification Sheets Available Upon Request										
Central Battery	ZVIPROLED230S	Slave	-	-	188	77	352	118	45	335
DALI	VIPROM3/LED/DA	Maintained	3.6V, 4.5Ah Ni-Cd	70151	188	77	352	118	45	335
DALI Central Battery	ZVIPROLED230SDA	Slave	-	-	188	77	352	118	45	335

Available Accessories

Order Code	Description	Material	Cutout (mm)
VI/SRK	Semi-Recessing Kit	Painted Steel	350 x 120

Photometrics

Mounting Height	Lighting level directly under Luminaire (Lux)	Luminaire Spacing (Metres)										
		0.5lx	1.0lx	0.5lx	1.0lx	0.5lx	1.0lx	0.5lx	1.0lx	0.5lx	1.0lx	
2m	6.04	4.5	3.4	11.5	9.1	9.2	7.3	6.8	5.6	2.8	2.2	
2.5m	3.86	4.7	3.3	12.4	9.5	9.9	7.7	7.4	5.9	3.0	2.2	
3m	2.68	4.8	2.9	13.0	9.5	10.5	7.9	7.9	6.2	3.1	2.2	
4m	1.51	4.3	1.9	13.5	8.7	11.1	7.5	8.6	6.3	3.1	1.8	
5m	0.97	3.1	n/a	13.0	6.3	11.0	6.0	8.9	5.8	2.9	n/a	
6m	0.67	2.4	n/a	11.5	4.8	10.1	4.6	8.8	4.4	2.2	n/a	