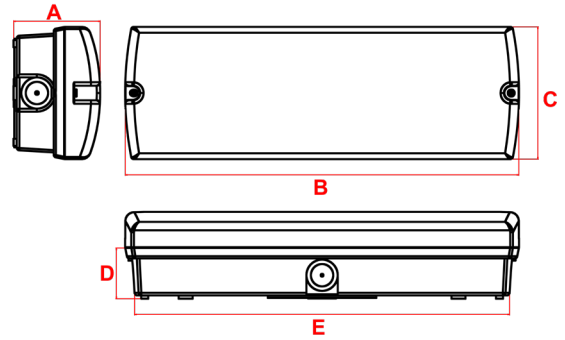
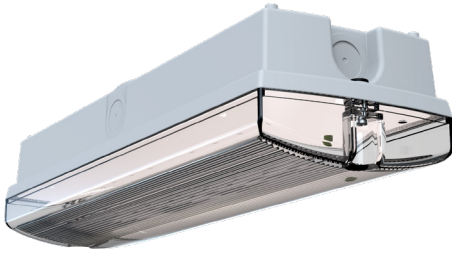


Visor

Surface Mounted Bulkhead



130 Lumens	1 Watt	6500K	Wall and Ceiling Mounting
Ni-Cd Battery	Class I	IP 65	3Y Warranty

Materials

Housing: Polycarbonate
 Standard Colour: White - RAL 9016

Warranty

Standard Warranty: 3 Years
 Alternative Warranty: 6 Years
 Add **/6Y** Years to Order Code

Order Code	VIM3/LED
Mode of operation	Maintained
Emergency duration	3 hours
Input voltage	230/240V (207VAC - 264VAC) 50/60Hz
Power consumption	9.5VA, I _{nom} = 0.04A (Full Battery)
Battery type	Rechargeable high temp Ni-Cd 3.6V 1.5Ah
Battery low voltage cut off	3V DC
Battery discharge current @ 3.6V DC	0.3A
Lamp Lifetime	L ₈₀ B ₅₀ 50000 Hours
Lamp	1W LED
Lamp colour	6500K
Lumen Level in emergency	130lm
Nominal lamp voltage	V _{rated} = 2.9V DC
Nominal lamp current @ 3.6V	I _{rated} = 0.29A
Nominal lamp power @ 3.6V	P _{rated} = 0.8W
Maximum output voltage with no lamp connected	U-OUT = 6V AC
Ingress protection	IP65
Cable entry	To be Drilled and Glanded on installation (Glands not included)
Luminaire class	Class I
Product Weight	0.8 Kg
Packaging Weight	0.093Kg
Standards	EN61347-2-7, EN61347-2-13, EN 60598-2-22, EN 55015
Environment	0°C to 45°C up to 80% relative humidity

System	Order Code	Mode of Operation	Battery	Battery P/N	Lumens (Emergency)	Dimensions (mm)				
						A	B	C	D	E
Standalone	VIM3/LED	Maintained	3.6V, 1.5Ah Ni-Cd	70149	130	77	352	118	45	335
Alternative Systems Available: Specification Sheets Available Upon Request										
Central Battery	ZVILED1W230S	Slave	-	-	120	77	352	118	45	335
DALI	VIM3/LED/1W/DA	Maintained	3.6V, 4.5Ah Ni-Cd	70151	120	77	352	118	45	335
DALI Central Battery	ZVILED230SDA	Slave	-	-	120	77	352	118	45	335

Photometrics

