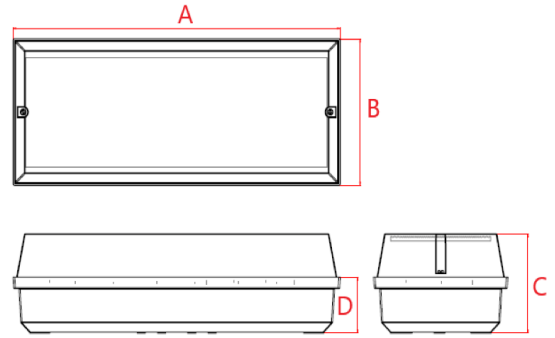
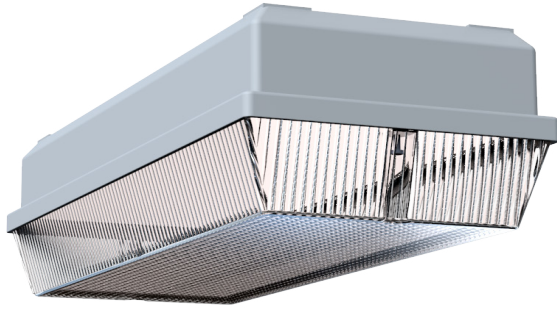


SKYLUX

9W Emergency Slave DALI Bulkhead



Order Code	ZSKLED9W230SDA
Mode of operation	Slave DALI
Input voltage	220-240V AC
Power consumption	12VA
Lamp	30x0.3W CREE medium power LED's
Lamp colour	6500k
Lamp lumen level in emergency	1300
Nominal lamp voltage	17.5V
Nominal lamp current	0.5A
Nominal lamp power	9 Watts
Maximum output voltage with no lamp connected	U-OUT=55V DC
Ingress Protection	IP65
Impact Resistance	IK10
Cable entry	To be Drilled and Glanded on installation (Glands not included)
Luminaire class	Class I
Product Weight	1.3 Kg
Packaging Weight	0.17 Kg
Standards	EN61347-2-7, EN 60598-2-22, EN 55015
Environment	0°C to 55°C up to 80% relative humidity

Materials

Housing: Polycarbonate (Base)
Clear Polycarbonate (Diffuser)

Geartray: Painted sheet steel

Standard Colour: White RAL 9016
Alternative Colours: Available on request

Warranty

Standard Warranty: 8 Years
Alternative Warranty: 10 Years
Add **/10Y** to Order Code

System	Order Code	Mode of Operation	Battery	Battery P/N	Lumens (Emergency)	Dimensions (mm)			
						A	B	C	D
Central Battery/ DALI	ZSKLED9W230SDA	Slave DALI	n/a	n/a	1300	368	152	102	58
Alternative Systems Available:									
Standalone	SKNM3/LED9W/P	Non-Maintained	9.6V 4.5Ah NiCd	70247	1300	368	152	102	58
Central Battery	ZSKLED9W230SPR	Slave	n/a	n/a	1300	368	152	102	58
DALI	SKNM3/LED10W/DA	Non-Maintained	9.6V 6.4Ah LiFePO4	70255	1300	368	152	102	58
Self-Test	SKNM3/LED10W/ST	Non-Maintained	9.6V 6.4Ah LiFePO4	70255	1400	368	150	102	58

Photometrics

Mounting Height	Lighting level directly under Luminaire	↔		↔		↔		↔		↔	
		0.5	1.0	0.5	1.0	0.5	1.0	0.5	1.0	0.5	1.0
2m	52.64	13.7	11.3	32.8	27.4	30.7	25.4	28.7	23.5	11.7	9.7
2.5m	33.71	15.2	12.5	36.5	30.3	34.0	28.1	31.5	25.9	13.0	10.7
3m	23.42	16.5	13.4	39.8	32.9	36.9	30.6	34.0	28.2	14.1	11.5
4m	17.21	17.6	14.3	43.3	35.1	39.4	32.7	36.5	30.2	15.1	12.1
6m	13.18	18.6	15.0	46.5	37.1	41.8	34.5	38.8	31.9	15.9	11.5
8m	10.42	19.5	15.7	49.5	38.9	44.0	36.1	40.9	33.3	16.7	12.1
10m	8.44	20.3	15.2	52.1	40.5	45.8	37.4	42.9	34.4	17.2	12.7

