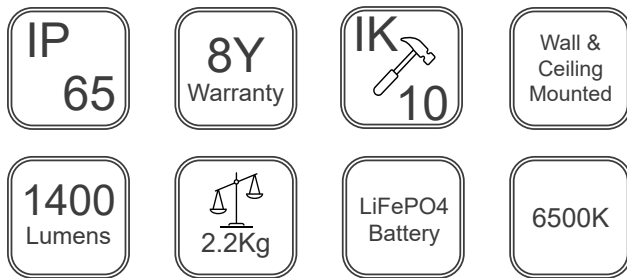
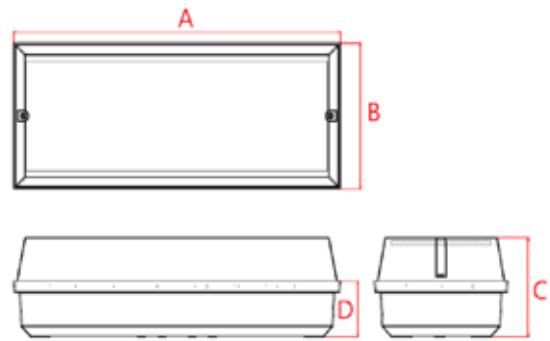
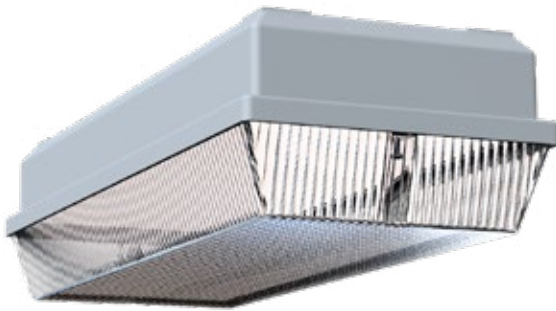


# SKYLUX

## IP65 10W Self-Test Emergency Bulkhead



Order Code	<b>SKNM3/LED10W/ST</b>
Mode of operation	Non-Maintained Self-Test
Emergency duration	3 Hours
Input voltage	220-240V AC
Power consumption	6VA
Battery type	9.6V 6.4Ah LiFePO4
Battery low voltage cut off	8V
Battery discharge current @ 9.6V DC	1.15A
Lamp	30x0.3W CREE medium power LED's
Lamp colour	6500k
Lamp lumen level in emergency	1400
Nominal lamp voltage	17.5V
Nominal lamp current	0.55A
Nominal lamp power	10 Watts
Maximum output voltage with no lamp connected	U-OUT=46V DC
Ingress Protection	IP65
Impact Resistance	IK10
Cable entry	To be Drilled and Glanded on installation (Glands not included)
Luminaire class	Class I
Product Weight	2.2 Kg
Packaging Weight	0.17 Kg
Standards	EN61347-2-7, EN 60598-2-22, EN 55015
Environment	0°C to 45°C up to 80% relative humidity

### Materials

Housing: Polycarbonate (Base)  
Clear Polycarbonate (Diffuser)

Geartray: Painted sheet steel

Standard Colour: White RAL 9016

Alternative Colours: Available on request

### Warranty

Standard Warranty: 8 Years  
Alternative Warranty: 10 Years  
Add /10Y to order code

System	Order Code	Mode of Operation	Battery	Battery P/N	Lumens (Emergency)	Dimensions (mm)			
						A	B	C	D
Self-Test	SKNM3/LED10W/ST	Non-Maintained	9.6V 6.4Ah LiFePO4	70255	1400	368	150	102	58
Alternative Systems Available:									
DALI	SKNM3/LED10W/DA	Non-Maintained	9.6V 6.4Ah LiFePO4	70255	1300	368	150	102	58
Standalone	SKNM3/LED9W/P	Non-Maintained	9.6V 4.5Ah NiCd	70247	1300	368	150	102	58
Central Battery	ZSKLED9W230SPR	Slave	n/a	n/a	1300	368	150	102	58

### Photometrics

Mounting Height	↔		↔		↔		↔		↔	
	0.5	1.0	0.5	1.0	0.5	1.0	0.5	1.0	0.5	1.0
4m	13.7	11.3	32.8	27.4	30.7	25.4	28.7	23.5	11.7	9.7
5m	15.2	12.5	36.5	30.3	34.0	28.1	31.5	25.9	13.0	10.7
6m	16.5	13.4	39.8	32.9	36.9	30.6	34.0	28.2	14.1	11.5
7m	17.6	14.3	42.7	35.1	39.5	32.7	36.5	30.2	15.1	12.1
8m	18.6	15.0	45.3	37.1	41.9	34.5	38.8	31.9	15.9	11.5
9m	19.5	15.7	47.7	38.9	44.1	36.1	40.9	33.3	16.7	12.1
10m	20.4	15.2	49.8	40.8	46.1	37.9	42.6	34.4	17.2	12.7

