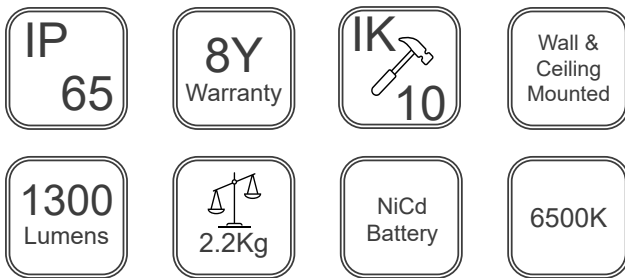
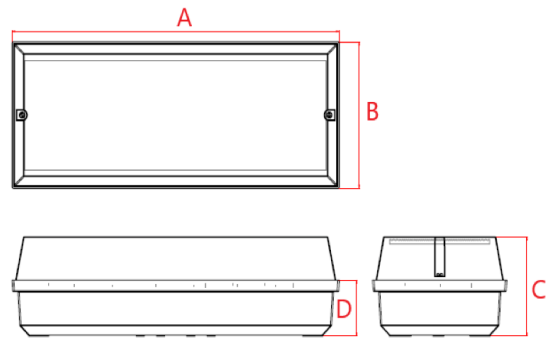
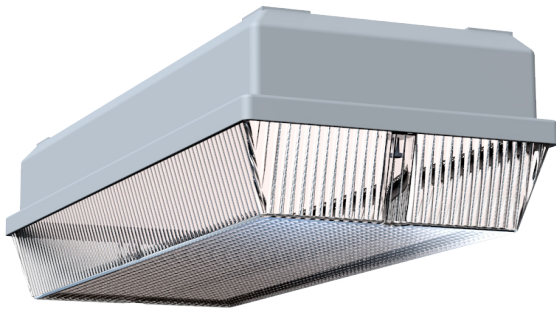


# SKYLUX

## 9W Emergency Bulkhead



Order Code	<b>SKNM3/LED9W/P</b>
Mode of operation	Non-Maintained
Emergency duration	3 Hours
Input voltage	220-240V AC
Power consumption	6VA
Battery type	9.6V 4.5Ah NiCd
Battery low voltage cut off	8V
Battery discharge current @ 9.6V DC	1A
Lamp	30x0.3W medium power LED's
Lamp colour	6500k
Lamp lumen level in emergency	1300
Nominal lamp voltage	17.5V
Nominal lamp current	0.47A
Nominal lamp power	9 Watts
Maximum output voltage with no lamp connected	U-OUT=22V DC
Ingress Protection	IP65
Impact Resistance	IK10
Cable entry	To be Drilled and Glanded on installation (Glands not included)
Luminaire class	Class I
Product Weight	2.2 Kg
Packaging Weight	0.17 Kg
Standards	EN61347-2-7, EN 60598-2-22, EN 55015
Environment	0°C to 45°C up to 80% relative humidity

## Materials

Housing: Polycarbonate (Base)  
Clear Polycarbonate (Diffuser)

Geartray: Painted sheet steel

Standard Colour: White RAL 9016  
Alternative Colours: Available on request

## Warranty

Standard Warranty: 8 Years  
Alternative Warranty: 10 Years  
Add /10Y to Order Code

System	Order Code	Mode of Operation	Battery	Battery P/N	Lumens (Emergency)	Dimensions (mm)			
						A	B	C	D
Standalone	SKNM3/LED9W/P	Non-Maintained	9.6V 4.5Ah NiCd	70247	1300	368	150	102	58
Alternative Systems Available:									
DALI	SKNM3/LED10W/DA	Non-Maintained	9.6V 6.4Ah LiFePO4	70255	1400	368	150	102	58
Self-Test	SKNM3/LED10W/ST	Non-Maintained	9.6V 6.4Ah LiFePO4	70255	1400	368	150	102	58
Central Battery	ZSKLED9W230SPR	Slave	n/a	n/a	1300	368	150	102	58

## Photometrics

Mounting Height	Lighting level directly under Luminaire	↔		↔		↔		↔		↔	
		0.5	1.0	0.5	1.0	0.5	1.0	0.5	1.0	0.5	1.0
2m	4.0	13.7	11.3	32.8	27.4	30.7	25.4	28.7	23.5	11.7	9.7
2.5m	5.0	15.2	12.5	36.5	30.3	34.0	28.1	31.5	25.9	13.0	10.7
3m	6.0	16.5	13.4	39.8	32.9	36.9	30.6	34.0	28.2	14.1	11.5
4m	7.0	17.6	14.3	42.7	35.1	39.5	32.7	36.5	30.2	15.1	12.1
6m	8.0	18.6	15.0	45.3	37.1	41.9	34.5	38.8	31.9	15.9	11.5
8m	9.0	19.5	15.7	47.7	38.9	44.1	36.1	40.9	33.3	16.7	12.1
10m	10.0	20.4	15.2	49.8	40.8	46.1	37.9	42.6	34.4	17.2	12.7

