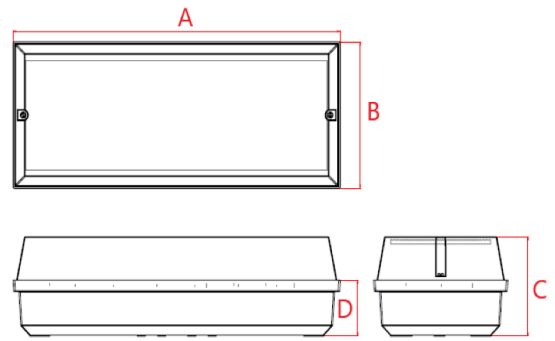
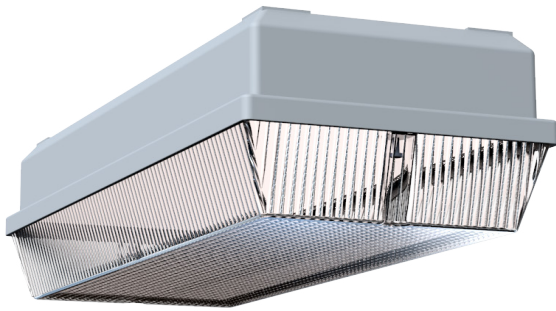


# SKYLUX

## 9W Emergency Bulkhead



### Materials

Housing: Polycarbonate (Base)  
Clear Polycarbonate (Diffuser)

Geartray: Powder coated sheet steel

Standard Colour: White RAL 9016  
Alternative Colours: Available on request

### Warranty

Standard Warranty: 6 Years  
Alternative Warranty: 10 Years  
Add **/10Y** to Order Code

Order Code	SKNM3/LED9W/P
Mode of operation	Non-Maintained
Emergency duration	3 Hours
Input voltage	220-240V AC
Power consumption	6VA
Battery type	9.6V 4.5Ah NiCd
Battery low voltage cut off	8V
Battery discharge current @ 9.6V DC	1A
Lamp	6 X 1.5 Watt WHITE CREE LED
Lamp colour	6000K Cool White
Lamp lumen level in emergency	1200
Nominal lamp voltage	17.5V
Nominal lamp current	0.47A
Nominal lamp power	9 Watts
Maximum output voltage with no lamp connected	U-OUT=22V DC
Ingress Protection	IP65
Impact Resistance	IK10
Cable entry	To be Drilled and Glanded on installation (Glands not included)
Dimensions	368mm(L) x 150mm(W) x 102mm(H)
Luminaire class	Class I
Product Weight	2.2 Kg
Packaging Weight	0.17 Kg
Standards	EN61347-2-7, EN 60598-2-22, EN 55015
Environment	0°C to 45°C up to 80% relative humidity

System	Order Code	Mode of Operation	Battery	Battery P/N	Lumens (Emergency)	Dimensions (mm)			
						A	B	C	D
Standalone	SKNM3/LED9W/P	Non-Maintained	9.6V 4.5Ah NiCd	70247	1200	370	150	102	58
Alternative Systems Available:									
DALI	SKNM3/LED10W/DA	Non-Maintained	9.6V 6.4Ah LiFePO4	70255	1200	370	150	102	58
Central Battery	ZSKLED9W230SPR	Slave	n/a	n/a	1200	370	150	102	58

### Photometrics

Mounting Height	Lighting level directly under Luminaire	↔		↔		↔		↔		↔	
		0.5	1.0	0.5	1.0	0.5	1.0	0.5	1.0	0.5	1.0
2m	<b>52.64</b>	13.7	11.3	32.8	27.4	30.7	25.4	28.7	23.5	11.7	9.7
2.5m	<b>33.71</b>	15.2	12.5	36.5	30.3	34.0	28.1	31.5	25.9	13.0	10.7
3m	<b>23.42</b>	16.5	13.4	39.8	32.9	36.9	30.6	34.0	28.2	14.1	11.5
4m	<b>17.21</b>	17.6	14.3	43.3	35.1	39.4	32.7	36.5	30.2	15.1	12.1
6m	<b>13.18</b>	18.6	15.0	46.5	37.1	41.8	34.5	38.8	31.9	15.9	11.5
8m	<b>10.42</b>	19.5	15.7	49.5	38.9	44.0	36.1	40.9	33.3	16.7	12.1
10m	<b>8.44</b>	20.3	15.2	52.1	40.5	45.8	37.4	42.9	34.4	17.2	12.7

