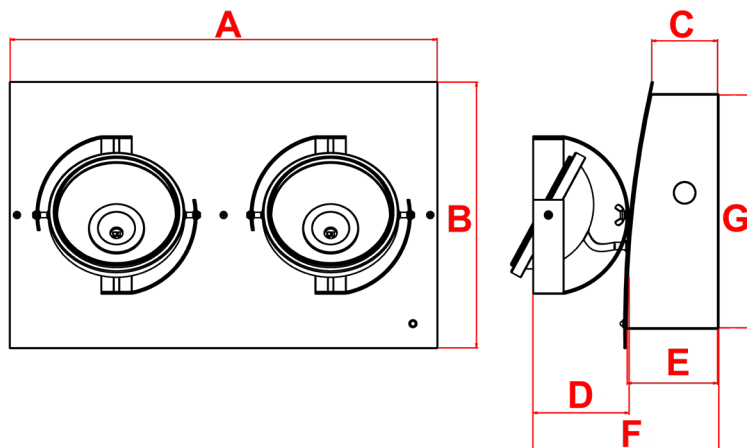
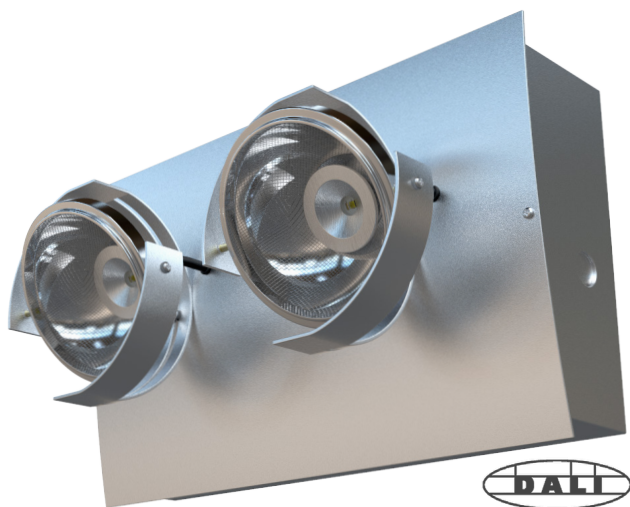



Scout

Wall Mounted DALI Twinspot



2x300 Lumens	2x3 Watts	 2.6 Kg	Wall and Ceiling Mounting
Ni-Cd Battery	Class I	IP 40	8Y Warranty

Order Code	SC6LED/NM3/DALI
Mode of operation	Non-Maintained DALI
Emergency duration	3 Hours
Input voltage	230-240V AC
Power consumption	8.4VA, Inom=3.5mA
Battery type	6V 4.5Ah Ni-Cd
Battery low voltage cut off	5V
Battery discharge current @ 6V DC	0.95A
Lamp	2 x 3W Cree LED
Lamp colour	6000K
Rated Median useful Life	L80 B50 50000 Hours
Lamp lumen level in emergency	2 X 300
Nominal lamp voltage	6V
Nominal lamp current	0.65A
Nominal lamp power	2 X 3W
Maximum output voltage with no lamp connected	U-OUT=13V DC
Cable entry	20mm on sides and rear of product
Luminaire class	Class I
Product Weight	2.6Kg
Packaging Weight	0.28Kg
Standards	EN61347-2-7, EN61347-2-13, EN 60598-2-22, EN 55015
Environment	0°C to 45°C up to 80% relative humidity

Materials

Housing: Body- Painted Steel
Lid- Stainless Steel
Reflectors- Polished Aluminium

Standard Colour: Chrome
Alternative Colours Available Upon Request

Warranty

Standard Warranty: 8 Years
Alternative Warranty: 10 Years
Add /10 Years to Order Code

System	Order Code	Mode of Operation	Battery	Battery P/N	Lumens (Emergency)	Dimensions (mm)						
						A	B	C	D	E	F	G
DALI	SC6LED/NM3/DALI	Non-Maintained	6V, 4.5Ah Ni-Cd	70153	2 x 300	345	215	53	78	73	150	188
Alternative Systems Available: Specification Sheets Available Upon Request												
Standalone	SC6LED/NM3	Non-Maintained	4.8V, 4.5Ah Ni-Cd	70123	2 x 300	345	215	53	78	73	150	188
Central Battery	ZSC6LED230S	Slave	-	-	2 x 300	345	215	53	78	73	150	188