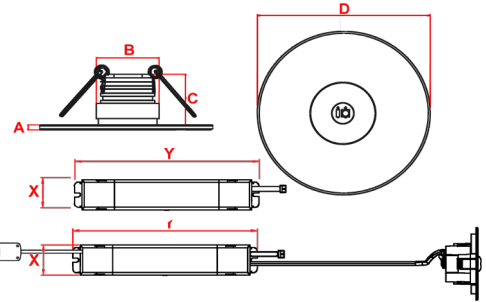


HALO PLUS Gen 2

Recessed Self-Test Downlight



230 Lumens	3 Watts	6000K	Recessed Mounting
LiFePO4 Battery	Class II	IP 40	6Y Warranty

Materials

Lamp Head: Spun Aluminium
 Remote Pack: Flame Retardant ABS

Standard Colour: White - RAL 9016
 Alternative Colours Available Upon Request

Warranty

Standard Warranty: 6 Years
 Alternative Warranty: 10 Years
 Add /10 Years to Order Code

Order Code	HAP2NM3/LED/ST
Mode of operation	Non-Maintained Self-Test
DALI Interface	For Controlled Monitoring and Reporting
Emergency duration	3 hours
Input voltage	230/240V (207VAC - 264VAC) 50/60Hz
Power consumption	2VA, I _{nom} = 8mA (Full Battery)
Battery type	Rechargeable LiFePO4 Battery 3.2V 3.6Ah
Battery low voltage cut off	2.6V DC
Battery discharge current @ 3.2V DC	0.67A
Lamp	3 Watt
Lamp colour	6000K
Lamp lumen level in emergency	230 lm
Nominal lamp voltage	V _{rated} = 3V DC
Nominal lamp current	I _{rated} = 0.53A CC
Nominal lamp power	P _{rated} = 2W
Maximum output voltage with no lamp connected	U-OUT = 10VDC
Ingress Protection	IP40
Cut-Out	65mm Cut-Out
Minimum Ceiling Void (From top of Ceiling Surface)	100mm Ceiling Void
Maximum Ceiling Surface Thickness	18mm
Cable entry	Recessed Pack
Incoming DALI Comms cable size cross sectional area	1 x 1.5mm ² single conductor
Luminaire class	Class II
Product Weight	0.50 Kg
Packaging Weight	0.051 Kg
Standards	EN61347-2-7, EN61347-2-13, EN 60598-2-22, EN 55015
Environment	0°C to 45°C up to 80% relative humidity.

System	Order Code	Mode of Operation	Battery	Battery P/N	Lumens (Emergency)	Dimensions (mm)					
						A	B	C	D	X	Y
Self-Test	HAP2NM3/LED/ST	Non-Maintained	3.2V, 3.6Ah LiFePO4	70268	230	2.4	29	31	80	36	196
Alternative Systems Available: Specification Sheets Available Upon Request											
Standalone	HAP2NM3/LED	Non-Maintained	6.4V, 1.5Ah LiFePO4	70267	230	2.4	29	31	80	28	196
DALI	HAP2NM3/LED/DA	Non-Maintained	3.2V, 3.6Ah LiFePO4	70268	230	2.4	29	31	80	36	196
Central Battery	ZHAPLED3W230S	Slave	-	-	300	2.4	29	31	80	50	220
DALI Central Battery	ZHAPLED3W230SDA	Slave	-	-	300	2.4	29	31	80	56	200

Photometrics

Mounting Height	Lighting level directly under Luminaire (Lux)	Luminaire Spacing (Metres)			
		0.5lx	1.0lx	0.5lx	1.0lx
2.5m	43.77	3.4	3.0	7.7	6.8
2.7m	37.53	3.5	3.2	8.1	7.0
3m	30.40	3.8	3.4	8.7	7.6
4m	17.11	4.6	4.1	10.2	9.2
6m	7.60	6.1	5.4	13.5	12.1
8m	4.28	7.3	6.0	16.5	14.7
10m	2.74	8.2	5.8	19.2	16.5

