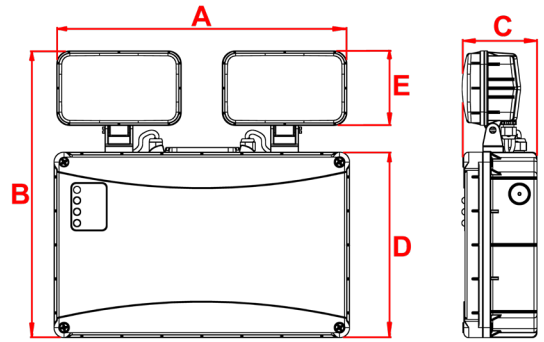


# ETS

## IP65 DALI Wireless Twinspot



2x175 Lumens	2x2.5 Watts	6500K	Wall Mounting
LiFePO4 Battery	Class I	IP 65	8Y Warranty

Order Code	ETSLED/NM3IP65DAW
Mode of operation	Non-Maintained
DALI Interface	For Controlled Monitoring and Reporting
Emergency duration	3 hours
Input voltage	230/240V (207VAC - 264VAC) 50/60Hz
Power consumption	3.1VA, I <sub>nom</sub> = 13mA (Full Battery)
Battery type	Rechargeable LiFePO4 Battery 6.4V 3.6Ah
Battery low voltage cut off	4.8V DC
Battery discharge current @ 6.4V DC	0.94A
Lamp	5W LED (2 x 2.5W)
Lamp colour	6500K
Lamp lumen level in emergency	2 x 175 lumens
Nominal lamp voltage	V <sub>rated</sub> = 19.7V DC
Nominal lamp current	I <sub>rated</sub> = 0.13A CC (Per Lamp)
Nominal lamp power	P <sub>rated</sub> = 2 x 2.5W
Maximum output voltage with no lamp connected	U-OUT = 60V DC
Ingress protection	IP65
Cable entry	20mm on rear, side and top of product
Luminaire class	Class I
Product Weight	1.7 Kg
Packaging Weight	0.14Kg
Standards	EN61347-2-7, EN61347-2-13, EN 60598-2-22, EN 55015
Environment	0°C to 45°C up to 80% relative humidity

## Materials

Housing: Polycarbonate  
 Standard Colour: White - RAL 9016  
 Alternative Colours Available Upon Request

## Warranty

Standard Warranty: 8 Years  
 Alternative Warranty: 10 Years  
 Add /10 Years to Order Code

System	Order Code	Mode of Operation	Battery	Battery P/N	Lumens (Emergency)	Dimensions (mm)				
						A	B	C	D	E
<b>DALI Wireless</b>	<b>ETSLED/NM3IP65DAW</b>	<b>Non-Maintained</b>	<b>6.4V, 3.6Ah LiFePO4</b>	<b>70257</b>	<b>2 X 175</b>	<b>296</b>	<b>287</b>	<b>73</b>	<b>185</b>	<b>74</b>
Alternative Systems Available: Specification Sheets Available Upon Request										
DALI	ETSLED/NM3IP65DA	Non-Maintained	6V, 4.5Ah Ni-Cd	70157	2 X 188	296	287	73	185	74
Standalone	ETSLED/NM3/IP65	Non-Maintained	3.6V, 6Ah Ni-Cd	70147	2 x 221	296	287	73	185	74
Self Test	ZETSLNM3IP65ST	Non-Maintained	6V, 4.5Ah Ni-Cd	70157	2 x 188	296	287	73	185	74