

ELT CENTRAL TEST UNIT INTERFACE UNIT

Product Features

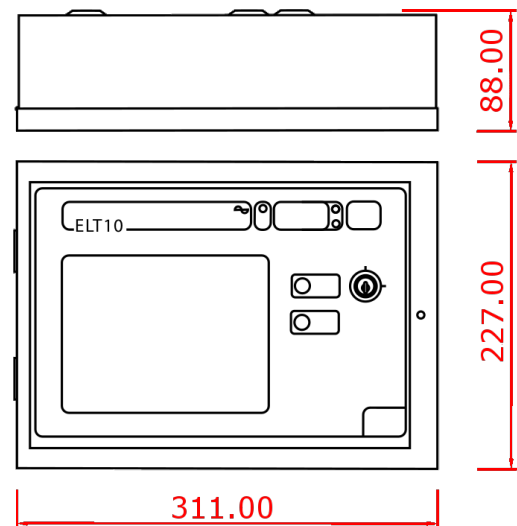
- Each luminaire wired to normally closed, multi-pole relays, which are energised by a central test unit to interrupt the supply.
- Depending on the number of circuits required and their location, the multi-pole relays may be incorporated into the central test unit or supplied with terminals in a separate 'remote interface unit'.
- The basic central test unit can accommodate two circuits and is expandable to six circuits.
- Remote Interface units can be supplied with any number of circuits to order.
- Alternatively, multi-pole relays can be supplied separately for insertion into existing distribution boards. Relay contacts are rated at 10A and can handle up to 250 emergency luminaires.
- Ventilux central test units are available in one, two or ten zone versions to allow grouping of different circuits together into selectable zones, e.g. by different floors or distribution boards.

Sample Specification

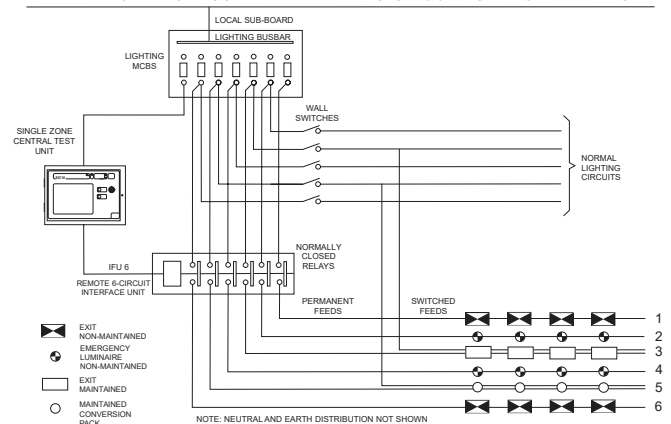
- On/Off key-switch to prevent unauthorised use.
- Power on indication
- Accurate crystal controlled timer.
- Test periods of 40 min/1 hour/3 hours. (Other periods on request)
- Digital display of elapsed time.
- Test in progress indication.
- Test completed indication.
- Audible warning on start of test and final ten minutes of test.
- Automatic restoration of supply on completion of test.
- 10A multi-pole contactors.
- Multi-zone versions available with individual zone select timings.
- 220V/240V 50/60Hz, 20VA (Other voltages available)
- Dimensions: See diagrams.



*Equipment dimensions may vary with different systems.



TYPICAL EMERGENCY LIGHTING SCHEME C/W CENTRAL TEST UNIT & 6-CIRCUIT REMOTE INTERFACE UNIT



Part Number

Weight (Kg)

ELT1	3.44
ELT2	3.44
ELT10	3.44