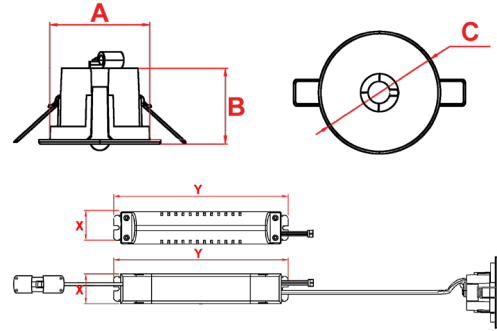


Delta Wireless

Recessed Downlight DALI



400 Lumens	3 Watts	5000K	Recessed Mounting
LiFePO4 Battery	Class II	IP 40	8Y Warranty

Materials

Lamp Head: Die-Cast Aluminium
Lamp Trim: ABS
Remote Pack: ABS

Standard Colour: White - RAL 9016
Alternative Colours Available Upon Request

Warranty

Standard Warranty: 8 Years
Alternative Warranty: 10 Years
Add /10Y to order code

Order Code	DENM3/LED3W/DAW
Mode of operation	Non-Maintained
DALI Interface	For Controlled Monitoring and Reporting
Emergency duration	3 hours
Input voltage	230/240V (207VAC - 264VAC) 50/60Hz
Power consumption	2.4VA, I _{nom} = 10mA (Full Battery)
Battery type	Rechargeable LiFePO4 Battery 6.4V 3.2Ah
Battery low voltage cut off	4.7V DC
Battery discharge current @ 6.4V DC	0.95A
Lamp	3 Watt
Lamp colour	5000K
Lamp lumen level in emergency	400 lm
Nominal lamp voltage	V _{rated} = 3V DC
Nominal lamp current	I _{rated} = 0.63A CC
Nominal lamp power	P _{rated} = 3W
Maximum output voltage with no lamp connected	U-OUT = 10VDC
Degree of protection	IP40
Cutout Size	48mm
Ceiling Void	200mm
Cable entry	Recessed Pack
Luminaire class	Class II
Weight	0.46 Kg
Standards	EN61347-2-7, EN61347-2-13, EN 60598-2-22, EN 55015
Environment	0°C to 45°C up to 80% relative humidity.

System	Order Code	Mode of Operation	Battery	Battery P/N	Lumens (Emergency)	Dimensions (mm)				
						A	B	C	X	Y
DALI Wireless	DENM3/LED3W/DAW	Non-Maintained	6.4V, 3.2Ah LiFePO4	70259	400	80	34	55	40	215
Alternative Systems Available: Specification Sheets Available Upon Request										
Standalone	DE2NM3/L2W/**	Non-Maintained	6.4V, 1.5Ah LiFePO4	70267	200	45	34	55	35	196
DALI	DE2NM3/L2W/**/DA	Non-Maintained	3.2V, 3.6Ah LiFePO4	70268	180	45	34	55	40	196
Self-Test	DE2NM3/L2W/**/ST	Non-Maintained	3.2V, 3.6Ah LiFePO4	70268	180	45	34	55	40	196

** - Replace with OP for Open Plan/Symmetrical Fitting and ES for Escape Route/Asymmetrical Fitting

Photometrics

Mounting Height	Lighting level directly under Luminaire (Lux)	Luminaire Spacing (Metres)													
		Escape Route							Open Plan						
		0.5lx	1.0lx	0.5lx	1.0lx	0.5lx	1.0lx	0.5lx	1.0lx	0.5lx	1.0lx	0.5lx	1.0lx	0.5lx	1.0lx
2m	18.44	3.0	2.5	6.8	6.0	13.6	12.4	20.4	18.8	9.4	8.5	6.4	5.1	15.4	12.7
2.5m	11.80	3.4	2.8	7.9	6.8	16.1	14.5	24.2	22.1	11.1	9.9	7.0	5.5	17.0	13.9
3m	8.20	3.7	3.0	8.8	7.4	18.3	16.3	27.8	25.1	12.6	11.1	7.4	5.7	18.4	14.8
4m	4.61	4.2	3.2	10.2	8.4	22.2	19.4	34.1	30.4	15.2	12.6	8.0	5.8	20.5	15.9
6m	2.05	4.6	3.0	12.1	9.1	-	22.8	-	36.5	18.2	13.2	8.0	4.6	22.8	16.1
8m	1.15	4.4	1.7	12.8	8.7	-	23.5	-	38.3	19.1	7.3	7.0	1.8	22.9	13.9
10m	0.74	3.7	-	12.8	7.3	-	19.9	-	32.6	16.3	-	4.6	-	21.4	9.1

